

6

5

4

3

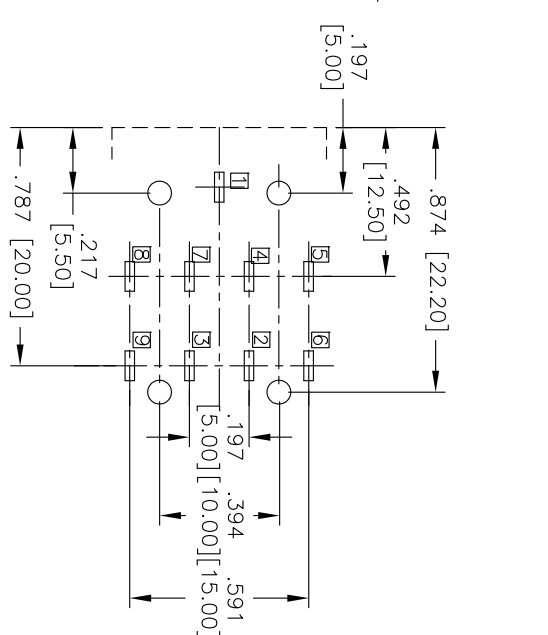
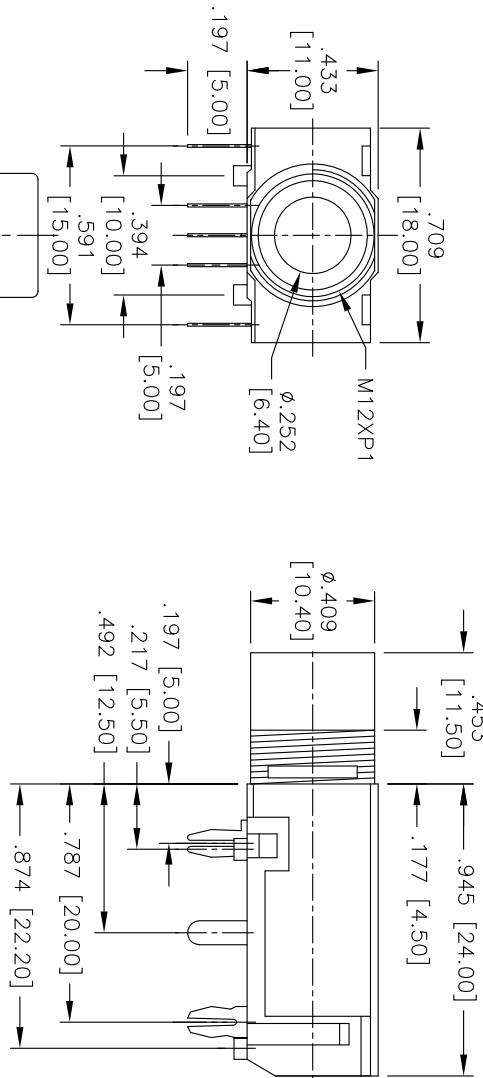
2

1

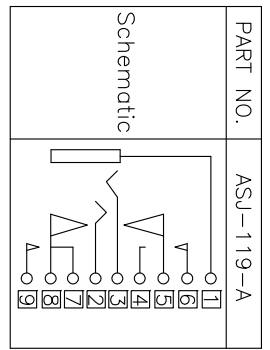
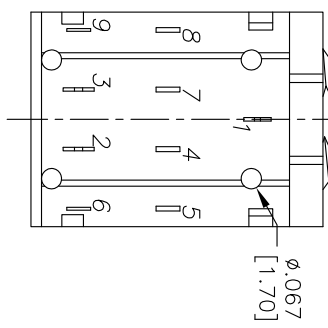
Rev	AWO #	Description	Date	Appr
-		RELEASED	12/16/09	

APPROVED: \_\_\_\_\_

DATE: \_\_\_\_\_ TITLE: \_\_\_\_\_



RECOMMENDED PCB LAYOUT (COPPER-SIDED VIEW)



**SPECIFICATIONS:**

**Material:**

Insulator: PBT, rated UL 94V-0

Insulator color: Black

Contacts: Copper Alloy

**Plating:**

Tin over Copper underplate

**Electrical:**

Operating voltage: 30 VDC max.

Current rating: 1.0 Amp max.

Contact resistance: 30 mohms max. initial

Insulation resistance: 100 Mohms min.

Dielectric withstanding voltage: 500 VAC for 1 minute

**Temperature Rating:**

Operating temperature: -65°C to +125°C

**Environmental:**

Lead free, RoHS compliant.

Recommended soldering temp: 235°C for 5 sec.



UNLESS OTHERWISE SPECIFIED  
ALL DIMENSIONS ARE INCHES [MM]  
TOLERANCES: EXCEPT AS NOTED  
INCHES

.X	± .10	ØX	± .10
.XX	± .020	ØXXX	± .015
.XXX	± .015	ØXXXX	± .010

APPROVALS

DRAWN	DY	DATE	12/16/09
CHECKED			
APPROVED			

**ADAM TECH**  
909 Rahway Avenue, Union, NJ 07083  
Phone: 908-687-5000 Fax: 908-687-5710

6.3 PHONE JACK

PART NO.	ASJ-119-A
SIZE	PART NO.
ASJ-119-A	
SCALE:	NTS
SHEET	1 OF 1

6

5

4

3

2

1